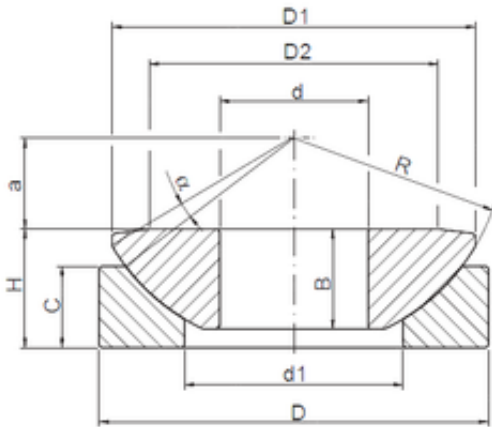




BEARING-MALAYSIA SDN.BHD.



30 mm x 75 mm x 18 mm ISO GE30AW plain bearings

Bearing No. GE30AW

Size	30x75x26 mm
Bore Diameter	30 mm
Outer Diameter	75 mm
Width	26 mm
d	30 mm
D	75 mm
H	26 mm
a	17,5 mm
d1	44 mm
B	18 mm
C	19,5 mm
D1	69 mm
D2	56 mm
R	80 mm
Angle	6 °

GE30AW Bearing 2D drawings and 3D CAD models