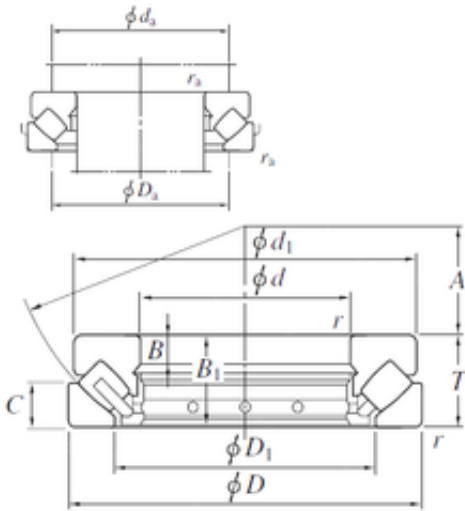




## BEARING-MALAYSIA SDN.BHD.

420 mm x 650 mm x 48 mm KOYO 29384R  
thrust roller bearings

Bearing No. 29384R



29384R Bearing 2D drawings and 3D CAD models

Size	420x650x140 mm
Bore Diameter	420 mm
Outer Diameter	650 mm
Width	140 mm
d	420 mm
D	650 mm
T	140 mm
d1	626 mm
r min.	6 mm
A	235 mm
B	48 mm
B1	135 mm
C	68 mm
D1	520 mm
da min.	525 mm
Da max.	575 mm
ra max.	5 mm
Weight	169 Kg
Basic dynamic load rating (C)	4060 kN
Bearing No.	29384R
r(min)	6
Ca	5070
Coa	17700
Oil lub.	450
da(min)	525



## BEARING-MALAYSIA SDN.BHD.

Da(max)	575
ra(max)	5
(Refer.) Mass(kg)	169