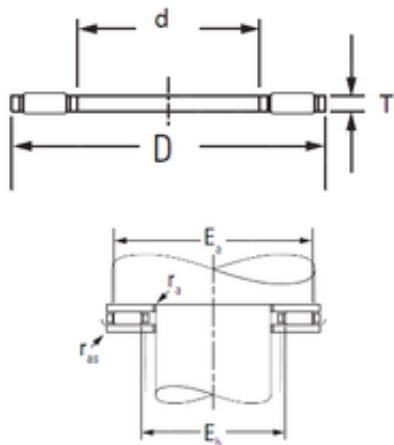




BEARING-MALAYSIA SDN.BHD.

KOYO FNT-619 needle roller bearings



Bearing No. FNT-619

Size	6x19x2 mm
Bore Diameter	6 mm
Outer Diameter	19 mm
Width	2 mm
d	6 mm
D	19 mm
T	2 mm
ra max.	0.3 mm
Ea	18.0 mm
Eb	8.0 mm
Weight	0.002 Kg
Basic dynamic load rating (C)	6.82 kN
Basic static load rating (C0)	15.6 kN
Category	Thrust Roller Bearing
Inventory	0.0
Manufacturer Name	KOYO
Minimum Buy Quantity	N/A
Weight / Kilogram	0.002
EAN	0605790341045
Product Group	B04144
Rolling Element	Needle Roller Bearing
Self Aligning	No
Component Description	Roller Assembly Only
Thrust Bearing	Yes
Single or Double Direction	Single Direction
Banded	No

FNT-619 Bearing 2D drawings and 3D CAD models



BEARING-MALAYSIA SDN.BHD.

Cage Material	Steel
Precision Class	ABEC 1 ISO P0
Other Features	Single Row Two Piece Cage
Long Description	6MM Bore 1; 6MM Bore 2; 19MM Outside Diameter; 2MM Height; Needle Roller Bearing; Single Direction; Not Self Aligning; Not Banded; Steel Cage; ABEC 1 ISO P0; Roller Assembly Only
Inch - Metric	Metric
Category	Thrust Roller Bearings
UNSPSC	31171500
Harmonized Tariff Code	8482.99.25.40
Noun	Roller Assembly
Keyword String	Thrust Needle
Manufacturer URL	http://www.koyousa.com
Manufacturer Item Number	FNT-619
Weight / LBS	0.004
Overall Height with Aligning Washer	0 Inch 0 Millimeter
Bore 1	0.236 Inch 6 Millimeter
Bore 2	0.236 Inch 6 Millimeter
Outside Diameter	0.748 Inch 19 Millimeter
Height	0.079 Inch 2 Millimeter
Bearing No.	FNT-619
Dc1	6
Dc	19
Dw	2
Ca	6.82
C0a	15.6
Cu	1.50
Oil lub.	21000



BEARING-MALAYSIA SDN.BHD.

ra(max)	0.3
(Refer.) Mass(kg)	0.002
D,d1	19
D1	-
h1	1.00 mm
Washer designation	AS0619
(Refer.) Mass(kg)	0.001
h	- mm
a	- mm
Washer designation	-
(Refer.) Mass(kg)	-
h	- mm
rs(min)	-
Washer designation Shaft piloted	-
Washer designation Housing piloted	-
(Refer.) Mass(kg)	-