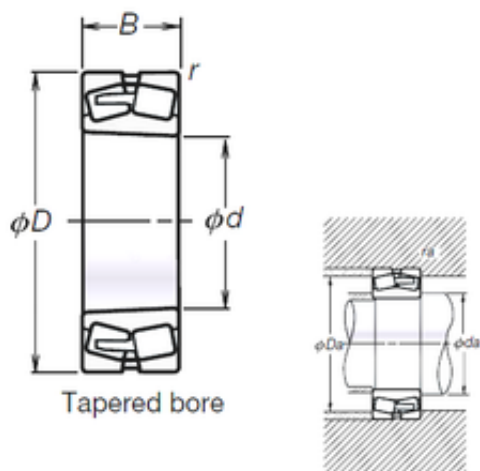




BEARING-MALAYSIA SDN.BHD.



220 mm x 460 mm x 145 mm NSK
TL22344CAKE4 spherical roller bearings

Bearing No. TL22344CAKE4

Size	220x460x145 mm
Bore Diameter	220 mm
Outer Diameter	460 mm
Width	145 mm
d	220 mm
D	460 mm
B	145 mm
C	145 mm
r min.	5 mm
da min.	242 mm
Da min	438 mm
Da max.	391 mm
ra max.	4 mm
Weight	116 Kg
Basic dynamic load rating (C)	2350 kN
Basic static load rating (C0)	3400 kN
(Grease) Lubrication Speed	750 r/min
(Oil) Lubrication Speed	950 r/min
Calculation factor (e)	0,33
Calculation factor (Y0)	2
Calculation factor (Y2)	3

TL22344CAKE4 Bearing 2D drawings and 3D CAD models