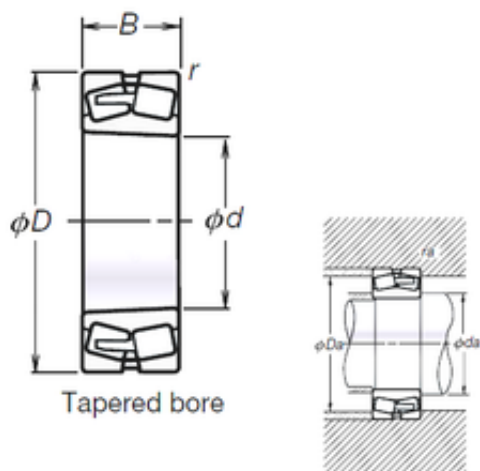




## BEARING-MALAYSIA SDN.BHD.



140 mm x 250 mm x 88 mm NSK  
TL23228CKE4 spherical roller bearings

Bearing No. TL23228CKE4

|                               |               |
|-------------------------------|---------------|
| Size                          | 140x250x88 mm |
| Bore Diameter                 | 140 mm        |
| Outer Diameter                | 250 mm        |
| Width                         | 88 mm         |
| d                             | 140 mm        |
| D                             | 250 mm        |
| B                             | 88 mm         |
| C                             | 88 mm         |
| r min.                        | 3 mm          |
| da min.                       | 154 mm        |
| da max                        | 163 mm        |
| Da min                        | 236 mm        |
| Da max.                       | 213 mm        |
| ra max.                       | 2,5 mm        |
| Weight                        | 18,8 Kg       |
| Basic dynamic load rating (C) | 835 kN        |
| Basic static load rating (C0) | 1300 kN       |
| (Grease) Lubrication Speed    | 1 100 r/min   |
| (Oil) Lubrication Speed       | 1 500 r/min   |
| Calculation factor (e)        | 0,35          |
| Calculation factor (Y0)       | 1,9           |
| Calculation factor (Y2)       | 2,9           |

TL23228CKE4 Bearing 2D drawings and 3D CAD models