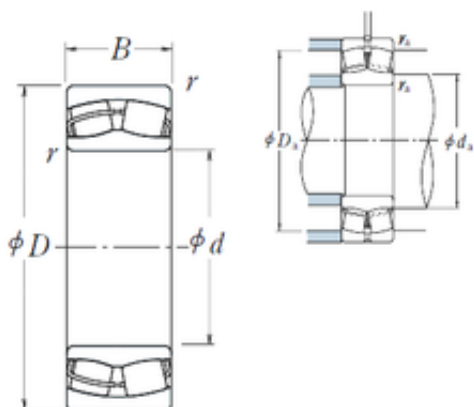




BEARING-MALAYSIA SDN.BHD.



90 mm x 160 mm x 52,4 mm NSK 23218CE4
spherical roller bearings

Bearing No. 23218CE4

23218CE4 Bearing 2D drawings and 3D CAD models

Size	90x160x52.4 mm
Bore Diameter	90 mm
Outer Diameter	160 mm
Width	52,4 mm
d	90 mm
D	160 mm
B	52,4 mm
C	52,4 mm
r min.	2 mm
da min.	100 mm
da max	105 mm
Da min	138 mm
Da max.	150 mm
ra max.	2 mm
Weight	4,51 Kg
Basic dynamic load rating (C)	340 kN
Basic static load rating (C0)	490 kN
(Grease) Lubrication Speed	1800 r/min
(Oil) Lubrication Speed	2400 r/min
Calculation factor (e)	0,32
Calculation factor (Y0)	2,1
Calculation factor (Y2)	3,2
Category	Spherical Roller Bearings
Inventory	0.0
Manufacturer Name	NSK



BEARING-MALAYSIA SDN.BHD.

Minimum Buy Quantity	N/A
Weight / Kilogram	4.54
EAN	0029176069222
Product Group	B04311
Internal Clearance	C0-Medium
Mounting Method	Shaft Mount
Rolling Element	Spherical Roller Bearing
Bore Profile	Straight
Cage Material	Steel
Enclosure	Open
Number of Rows of Rollers	Double Row
Relubricatable	Yes
Withdrawal Sleeve	Not Applicable
Inch - Metric	Metric
Long Description	90MM Straight Bore; 160MM Outside Diameter; 52MM Width; C0-Medium Clearance; Shaft Mount; Double Row of Spherical Roller Bearings; Steel Cage Material; Open Enclosure; Relubricatable
Category	Spherical Roller Bearing
UNSPSC	31171510
Harmonized Tariff Code	84823080
Noun	Bearing
Keyword String	Spherical
Manufacturer URL	http://www.nskamericas.com
Manufacturer Item Number	23218CE4
Weight / LBS	4.54
Bore	3.543 Inch 90 Millimeter
Outside Diameter	6.299 Inch 160 Millimeter
Adapter Part Number	Not Applicable Inch Not Applicable Millimeter



BEARING-MALAYSIA SDN.BHD.

Width	2.063 Inch 52.4 Millimeter
bore diameter:	90 mm
closure type:	Open
outside diameter:	160 mm
lubrication hole type:	Oil Grooves And Holes In Outer Ring
overall width:	52.4 mm
cage material:	Polyamide
bore type:	Straight
application:	General Machinery
outer ring type:	Not Split
series:	Spherical Roller 232 Series
internal clearance:	C0
Y3	2.1
hidYobi	23218CE4
LangID	1
Y1	2.1
D_	160
Y2	3.2
Macha rpm	0
B_	52.4
da min	100
hidTable	ecat_NSSPHR
Oil rpm	2400
Y0	2.1
mass	4.51
GRS rpm	1800
ra	2
TSR rpm	2800
C0	490
DE_	142.854
X0	1
Prod_Type3	SRB_CTB_CB



BEARING-MALAYSIA SDN.BHD.

X1	1
X2	0.67
SIR	21
e	0.32
DA_	17.5
bomp	23218CE4
Z_	19
ALP2	55
ALP1	11
ALP3	0
D_a max	150
D_a min	138
yobi	23218CE4
ALPHA_	0.208
SDM_	125.731
r	2
KBRG	2322
SBRG	32
DI_	108.608