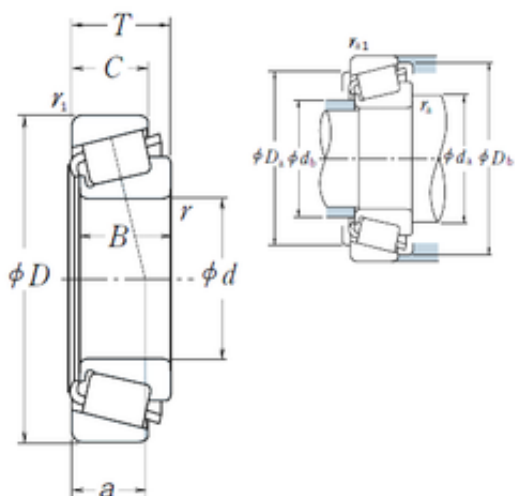




BEARING-MALAYSIA SDN.BHD.

50,8 mm x 104,775 mm x 36,512 mm NSK
HM807046/HM807011 tapered roller bearings

Bearing No. HM807046/HM807011



HM807046/HM807011 Bearing 2D drawings and 3D CAD models

Size	50.8x104.775x36.512 mm
Bore Diameter	50,8 mm
Outer Diameter	104,775 mm
Width	36,512 mm
d	50,8 mm
D	104,775 mm
T	36,512 mm
B	36,512 mm
C	28,575 mm
ra1 max.	0,8 mm
a	29,7 mm
r min.	3,5 mm
r1 min.	0,8 mm
Da	91 mm
db	63 mm
ra max.	3,5 mm
da	70 mm
Db	100 mm
Weight	1,5 Kg
Basic dynamic load rating (C)	139 kN
Basic static load rating (C0)	192 kN
(Grease) Lubrication Speed	3400 r/min
(Oil) Lubrication Speed	4800 r/min
Calculation factor (e)	0,49
Calculation factor (Y0)	0,68



BEARING-MALAYSIA SDN.BHD.

LangID	1
ALP23	0
outer r	0.8
ALP22	10
D_	104.775
ALP21	36
SHOG_yobi	HM807046/HM807011
RAr	159.506
inner r	3.5
GRS rpm	3400
D_b	100
D_a	91
DE_	89.763
SLR	27
Prod_Type3	TRBSR_ID_A
BETA_	2
ALPHA_	18
SDM_	79.264
DA1	12.524
DA2	10.412
hidYobi	HM807046/HM807011
Y1	1.2
B_	36.512
Oil rpm	4800
hidTable	ecat_NSTPRI
Y0	0.68
inner ra	3.5
outer rb	0.8
C0	192
CUP	0.508
e	0.49
DA_	11.473



BEARING-MALAYSIA SDN.BHD.

BET21	4
BET22	30
BET23	0
Z_	18
C_	28.575
yobi	HM807046/HM807011
KBRG	3161
CONE	0.992
DI_	68.111