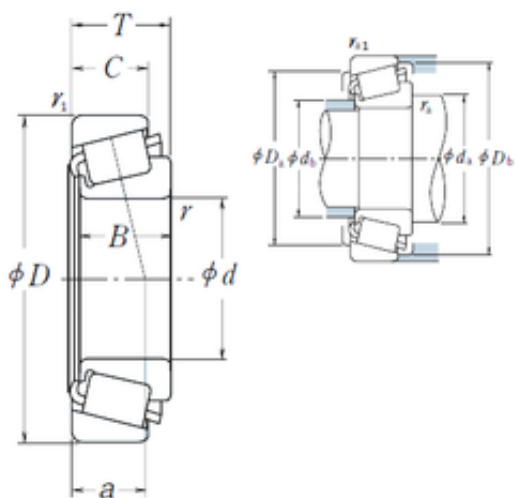




BEARING-MALAYSIA SDN.BHD.

30,162 mm x 64,292 mm x 21,433 mm NSK
M86649/M86610 tapered roller bearings

Bearing No. M86649/M86610



M86649/M86610 Bearing 2D drawings and 3D CAD models

Size	30.162x64.292x21.433 mm
Bore Diameter	30,162 mm
Outer Diameter	64,292 mm
Width	21,433 mm
d	30,162 mm
D	64,292 mm
T	21,433 mm
B	21,433 mm
C	16,67 mm
ra1 max.	1,5 mm
a	17,7 mm
r min.	1,5 mm
r1 min.	1,5 mm
Da	54 mm
db	38 mm
ra max.	1,5 mm
da	41 mm
Db	61 mm
Weight	0,339 Kg
Basic dynamic load rating (C)	51 kN
Basic static load rating (C0)	64,5 kN
(Grease) Lubrication Speed	5600 r/min
(Oil) Lubrication Speed	8000 r/min
Calculation factor (e)	0,55
Calculation factor (Y0)	0,6



BEARING-MALAYSIA SDN.BHD.

Category	Bearings
Inventory	0.0
Manufacturer Name	NSK
Minimum Buy Quantity	N/A
Weight / Kilogram	0.342
Product Group	B04334
LangID	1
ALP23	0
outer r	1.5
ALP22	0
D_	64.292
ALP21	40
SHOG_yobi	M86649R/M86610R
RAr	85.768
inner r	1.5
GRS rpm	5600
D_b	61
D_a	54
DE_	53.498
SLR	15.9
Prod_Type3	TRBSR_ID_A
BETA_	2
ALPHA_	20
SDM_	46.801
DA1	7.481
DA2	6.101
hidYobi	M86649/M86610
Y1	1.1
B_	21.433
Oil rpm	8000
hidTable	ecat_NSTPRI
Y0	0.6



BEARING-MALAYSIA SDN.BHD.

inner ra	1.5
outer rb	1.5
C0	64.5
CUP	0.128
e	0.55
DA_	6.795
BET21	5
BET22	0
BET23	0
Z_	18
C_	16.67
yobi	M86649/M86610
KBRG	3161
CONE	0.211
DI_	40.212