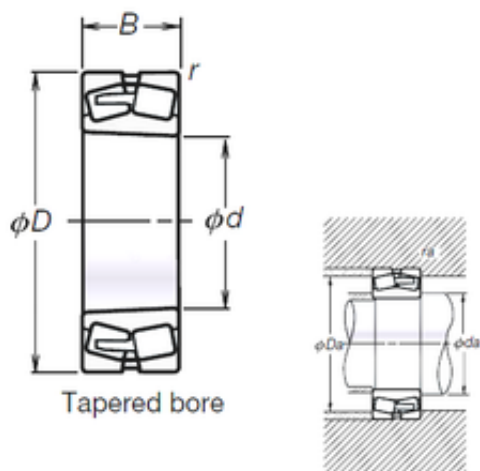




BEARING-MALAYSIA SDN.BHD.



300 mm x 420 mm x 90 mm NSK
TL23960CAKE4 spherical roller bearings

Bearing No. TL23960CAKE4

Size	300x420x90 mm
Bore Diameter	300 mm
Outer Diameter	420 mm
Width	90 mm
d	300 mm
D	420 mm
B	90 mm
C	90 mm
r min.	3 mm
da min.	314 mm
Da min	406 mm
Da max.	386 mm
ra max.	2,5 mm
Weight	38,2 Kg
Basic dynamic load rating (C)	1230 kN
Basic static load rating (C0)	2490 kN
(Grease) Lubrication Speed	710 r/min
(Oil) Lubrication Speed	900 r/min
Calculation factor (e)	0,19
Calculation factor (Y0)	3,4
Calculation factor (Y2)	5,2

TL23960CAKE4 Bearing 2D drawings and 3D CAD models