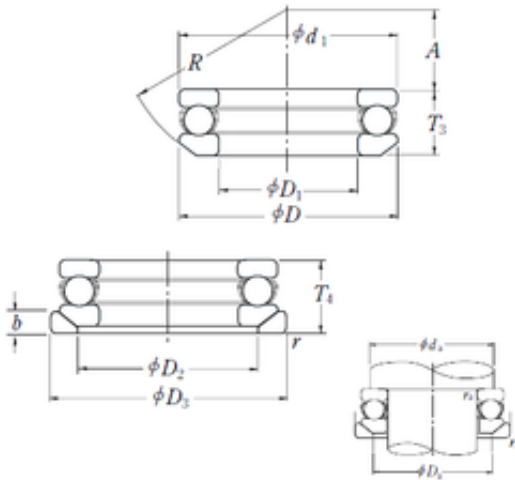




# BEARING-MALAYSIA SDN.BHD.

## NSK 53214U thrust ball bearings

Bearing No. 53214U



53214U Bearing 2D drawings and 3D CAD models

Size	70x105x32 mm
Bore Diameter	70 mm
Outer Diameter	105 mm
Width	32 mm
d	70 mm
D	105 mm
T	32 mm
b	9 mm
d1	105 mm
r min.	1 mm
A	38 mm
D1	72 mm
D2	88 mm
D3	110 mm
R	80 mm
da min.	91 mm
Da max.	84 mm
ra max.	1 mm
Weight	1,05 Kg
Basic dynamic load rating (C)	74 kN
Basic static load rating (C0)	189 kN
(Grease) Lubrication Speed	1900 r/min
SRI	6.85
hidYobi	53214U
LangID	1
D_	105



## BEARING-MALAYSIA SDN.BHD.

SREX	0.05
C	74
B_	32
hidTable	ecat_NSSDTB
Oil rpm	2800
SRE	6.85
mass	1.05
GRS rpm	1900
ra	1
SRIX	0.05
T4	32
D_3	110
D_a	84
SRIN	0
C0	189
D_2	88
SREN	0
D_1	72
Prod_Type3	TB_SD_WASW
da	91
DA_	12.7
Z_	19
yobi	53214U
A_	38
T3	28.8
SDM_	87.5
r	1
KBRG	5131
R_	80