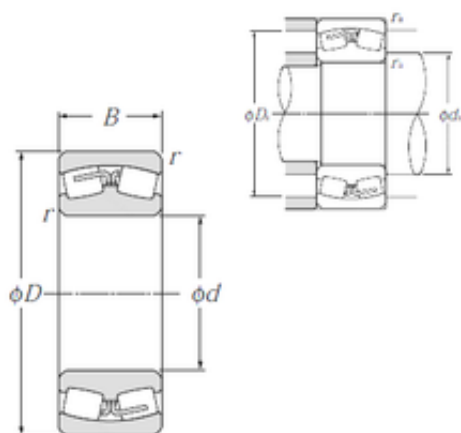




## BEARING-MALAYSIA SDN.BHD.

800 mm x 1 150 mm x 258 mm NTN 230/800B  
spherical roller bearings



Bearing No. 230/800B

|                               |                 |
|-------------------------------|-----------------|
| Size                          | 800x1150x258 mm |
| Bore Diameter                 | 800 mm          |
| Outer Diameter                | 1150 mm         |
| Width                         | 258 mm          |
| d                             | 800 mm          |
| D                             | 1 150 mm        |
| B                             | 258 mm          |
| C                             | 258 mm          |
| r min.                        | 7,5 mm          |
| da min.                       | 836 mm          |
| Da max.                       | 1 114 mm        |
| ra max.                       | 6 mm            |
| Weight                        | 890 Kg          |
| Basic dynamic load rating (C) | 8 400 kN        |
| Basic static load rating (C0) | 19 500 kN       |
| (Grease) Lubrication Speed    | 220 r/min       |
| (Oil) Lubrication Speed       | 290 r/min       |
| Calculation factor (e)        | 0,21            |
| Calculation factor (Y0)       | 3,08            |
| Calculation factor (Y1)       | 3,15            |

230/800B Bearing 2D drawings and 3D CAD models