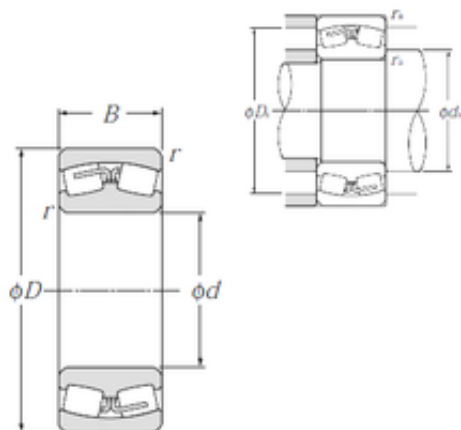




## BEARING-MALAYSIA SDN.BHD.

530 mm x 870 mm x 335 mm NTN 241/530B  
spherical roller bearings



Bearing No. 241/530B

Size	530x870x335 mm
Bore Diameter	530 mm
Outer Diameter	870 mm
Width	335 mm
d	530 mm
D	870 mm
B	335 mm
C	335 mm
r min.	7,5 mm
da min.	566 mm
Da max.	834 mm
ra max.	6 mm
Weight	800 Kg
Basic dynamic load rating (C)	8 300 kN
Basic static load rating (C0)	17 400 kN
(Grease) Lubrication Speed	310 r/min
(Oil) Lubrication Speed	400 r/min
Calculation factor (e)	0,38
Calculation factor (Y0)	1,75
Calculation factor (Y1)	1,79

241/530B Bearing 2D drawings and 3D CAD models