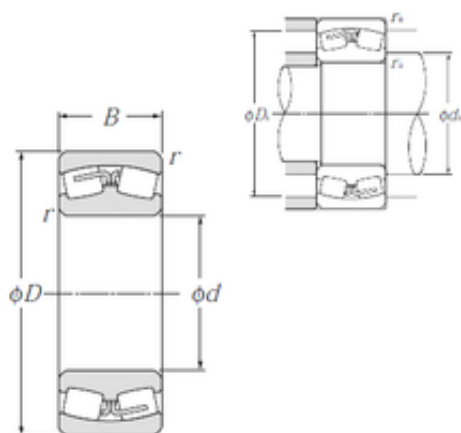




BEARING-MALAYSIA SDN.BHD.

320 mm x 580 mm x 208 mm NTN 23264B
spherical roller bearings



Bearing No. 23264B

Size	320x580x208 mm
Bore Diameter	320 mm
Outer Diameter	580 mm
Width	208 mm
d	320 mm
D	580 mm
B	208 mm
C	208 mm
r min.	5 mm
da min.	342 mm
Da max.	558 mm
ra max.	4 mm
Weight	243 Kg
Basic dynamic load rating (C)	4 000 kN
Basic static load rating (C0)	7 050 kN
(Grease) Lubrication Speed	520 r/min
(Oil) Lubrication Speed	680 r/min
Calculation factor (e)	0,36
Calculation factor (Y0)	1,82
Calculation factor (Y1)	1,86
d2	403 mm
D1	491.6 mm
rs min	5 mm
Number of lubrication holes	8
b	33 mm

23264B Bearing 2D drawings and 3D CAD models



BEARING-MALAYSIA SDN.BHD.

k	20 mm
e	0.36
Y1	1.86
Y2	2.77
Y0	1.82
Radial clearance class	CN
Dynamic load, C	4,000 kN
Static load, C0	7,050 kN
Fatigue limit load, Cu	653 kN
Nref	510 rpm
Nlim	950 rpm
Min operating temperature, Tmin	-40 ° C
Max operating temperature, Tmax	120 ° C
Characteristic cage frequency, FTF	0.43 Hz
Characteristic rolling element frequency, BSF	6.85 Hz
Characteristic outer ring frequency, BPF0	8.18 Hz
Characteristic inner ring frequency, BRFI	10.82 Hz
da min	340 mm
Da max	560 mm
ra max	4 mm
Category	Bearings
Inventory	0.0
Manufacturer Name	NTN
Minimum Buy Quantity	N/A
Weight / Kilogram	236.903
Product Group	B04311