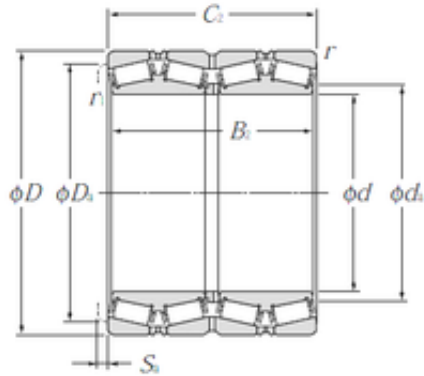




BEARING-MALAYSIA SDN.BHD.

480 mm x 678 mm x 494 mm NTN E-625996 tapered roller bearings



Bearing No. E-625996

Size	480x678x494 mm
Bore Diameter	480 mm
Outer Diameter	678 mm
Width	494 mm
d	480 mm
D	678 mm
B	494 mm
C	494 mm
r min.	6 mm
r1 min.	6 mm
Da	623 mm
da	525 mm
Sa	7 mm
Weight	563 Kg
Basic dynamic load rating (C)	6 250 kN

E-625996 Bearing 2D drawings and 3D CAD models