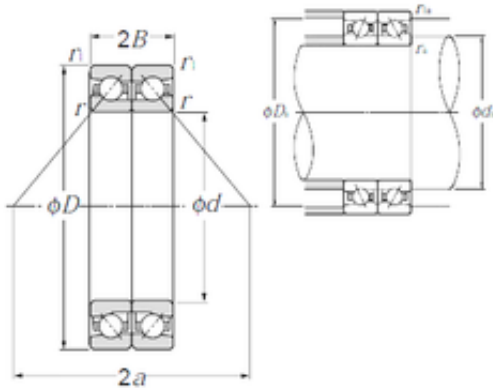




BEARING-MALAYSIA SDN.BHD.

75 mm x 115 mm x 18 mm NTN HTA015DB
angular contact ball bearings



Bearing No. HTA015DB

Size	75x115x18 mm
Bore Diameter	75 mm
Outer Diameter	115 mm
Width	18 mm
d	75 mm
D	115 mm
B	18 mm
C	18 mm
ra1 max.	0,6 mm
r min.	1,1 mm
r1 min.	0,6 mm
2B	36 mm
da min.	85 mm
Da max.	109 mm
ra max.	1 mm
Weight	1,26 Kg
Basic dynamic load rating (C)	44 kN
Basic static load rating (C0)	101 kN
(Grease) Lubrication Speed	5 900 r/min

HTA015DB Bearing 2D drawings and 3D CAD models