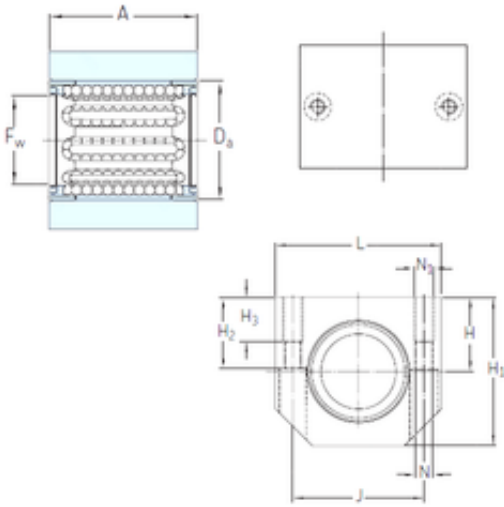




BEARING-MALAYSIA SDN.BHD.



SKF LUHR 25 linear bearings

Bearing No. LUHR 25

Bore Diameter	25 mm
Fw	25 mm
H3	18 mm
Da	35 mm
A	40 mm
H	27 mm
H1	54 mm
H2	26 mm
J	48 mm
L	62 mm
N	6,6 mm
Thread (N1)	M8
Weight	0,25 Kg
Basic dynamic load rating (C)	2,12 kN

LUHR 25 Bearing 2D drawings and 3D CAD models