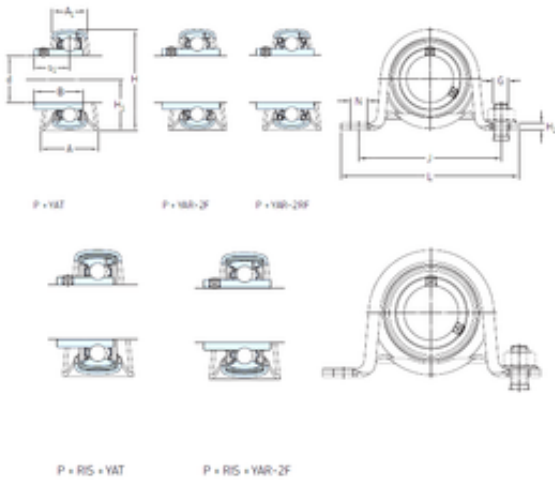




# BEARING-MALAYSIA SDN.BHD.



## SKF P 52 R-20 FM bearing units

Bearing No. P 52 R-20 FM

Bore Diameter	20 mm
d	20 mm
s1	23,5 mm
A	32 mm
A1	24 mm
B1	31 mm
G	10 mm
H	56 mm
H1	28,3 mm
H2	3,2 mm
J	86 mm
L	108 mm
N	11,2 mm
Weight	0,28 Kg
Basic dynamic load rating (C)	12,7 kN
Basic static load rating (C0)	6,55 kN
Housing material	Pressed steel
A <sub>1</sub>	23 mm
B <sub>1</sub>	31 mm
H <sub>1</sub>	28.4 mm
H <sub>2</sub>	3.2 mm
s <sub>1</sub>	24 mm
Basic dynamic load rating C	12.7 kN
Basic static load rating C <sub>0</sub>	6.55 kN
Fatigue load limit P <sub>u</sub>	0.28 kN
Permissible radial housing	1.8 kN

P 52 R-20 FM Bearing 2D drawings and 3D CAD models



## BEARING-MALAYSIA SDN.BHD.

load max.	
Limiting speed	8500 r/min
Mass bearing unit	0.29 kg
Thread grub screw G <sub>2</sub>	M6x0.75
Hexagonal key size for grub screw N	3 mm
Recommended tightening torque for grub screw	4 N · m
Recommended diameter for attachment bolts, mm G	10 mm
Recommended diameter for attachment bolts, inch G	0.375 in