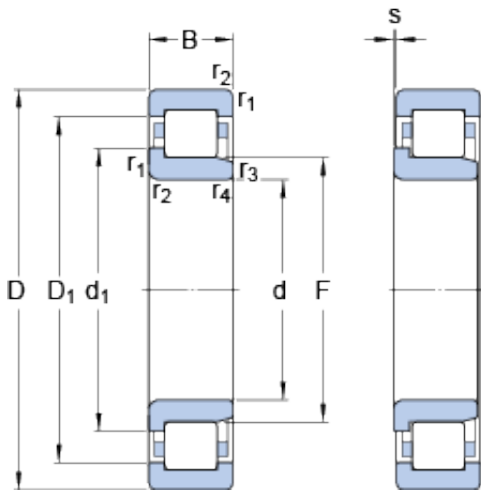




BEARING-MALAYSIA SDN.BHD.



90 mm x 190 mm x 64 mm SKF NJ 2318 ECP
thrust ball bearings

Bearing No. NJ 2318 ECP

NJ 2318 ECP Bearing 2D drawings and 3D CAD models

Size	190x90x64 mm
Bore Diameter	190 mm
Outer Diameter	90 mm
Width	64 mm
d	90 mm
D	190 mm
B	64 mm
d ₁	124 mm
D ₁	160.3 mm
F	113.5 mm
r _{1,2} - min.	3 mm
r _{3,4} - min.	3 mm
s	6 mm
d _a - min.	104 mm
d _a - max.	110 mm
d _b - min.	127 mm
D _a - max.	175.3 mm
r _a - max.	2.5 mm
Basic dynamic load rating - C	500 kN
Basic static load rating - C ₀	540 kN
Fatigue load limit - P _u	65.5 kN
Reference speed	3800 r/min
Limiting speed	4500 r/min
Calculation factor - k _r	0.25



BEARING-MALAYSIA SDN.BHD.

Category	Cylindrical Roller Bearings
Inventory	0.0
Manufacturer Name	SKF
Minimum Buy Quantity	N/A
Weight / Kilogram	8.349
Product Group	B04144
Bore Profile	Straight
Cage Material	Polymer
Precision Class	RBEC 1 ISO P0
Number of Rows of Rollers	Single Row
Separable	Inner Ring - One Side
Rolling Element	Cylindrical Roller Bearing
Profile	Complete with Outer and Inner Ring
Snap Ring	No
Internal Clearance	C0-Medium
Retainer	Yes
Relubricatable	Yes
Inch - Metric	Metric
Other Features	High Capacity 1 Rib Inner Ring 2 Rib Outer Ring Cage on Outer Ring ID
Long Description	90MM Bore; Straight Bore Profile; 190MM Outside Diameter; 64MM Width; Polymer Cage Material; RBEC 1 ISO P0; Single Row; Inner Ring - One Side Separable; No Snap Ring; Relubricatable; C0-Medium Inte
Category	Cylindrical Roller Bearing
UNSPSC	31171547
Harmonized Tariff Code	8482.50.00.00
Noun	Bearing
Manufacturer URL	http://www.skf.com



BEARING-MALAYSIA SDN.BHD.

Manufacturer Item Number	NJ 2318 ECP
Weight / LBS	18.389
Outside Diameter	7.48 Inch 190 Millimeter
Width	2.52 Inch 64 Millimeter
Bore	3.543 Inch 90 Millimeter
d_1	124 mm
D_1	160.25 mm
$r_{1,2}$ min.	3 mm
$r_{3,4}$ min.	3 mm
s max.	6 mm
d_a min.	104 mm
d_a max.	110 mm
d_b min.	127 mm
D_a max.	175.3 mm
r_a max.	2.5 mm
Basic dynamic load rating C	500 kN
Basic static load rating C_0	540 kN
Fatigue load limit P_u	65.5 kN
Calculation factor k_r	0.25
Limiting value e	0.3
Axial load factor Y	0.4
Mass bearing	8.16 kg