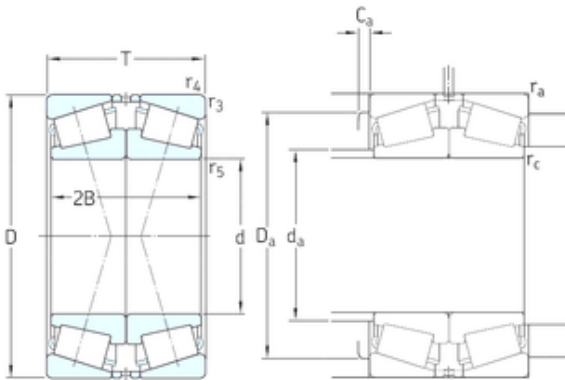




BEARING-MALAYSIA SDN.BHD.

110 mm x 200 mm x 38 mm SKF 30222J2/DF tapered roller bearings

Bearing No. 30222J2/DF



30222J2/DF Bearing 2D drawings and 3D CAD models

Size	110x200x82 mm
Bore Diameter	110 mm
Outer Diameter	200 mm
Width	82 mm
d	110 mm
D	200 mm
T	82 mm
B	38 mm
r3 min.	2,5 mm
r4 min.	2,5 mm
r5 min.	1 mm
2B	76 mm
Ca max.	6 mm
da max	129 mm
Da min	174 mm
Da max.	188 mm
ra max.	2 mm
rc max.	1 mm
Weight	10,5 Kg
Basic dynamic load rating (C)	523 kN
Basic static load rating (C0)	800 kN
Fatigue load limit (Pu)	90
Reference speed	2000 r/min
Limiting speed	3200 r/min
Calculation factor (e)	0,43



BEARING-MALAYSIA SDN.BHD.

Calculation factor (Y0)	1,6
Calculation factor (Y1)	1,6