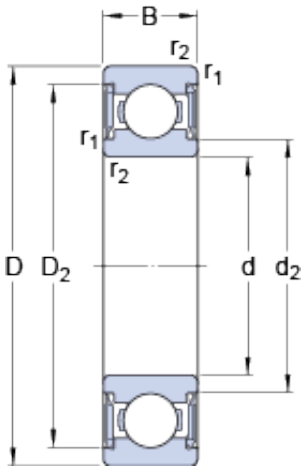




BEARING-MALAYSIA SDN.BHD.



12.7 mm x 28.575 mm x 7.938 mm SKF D/W
R8-2RS1 deep groove ball bearings

Bearing No. D/W R8-2RS1

D/W R8-2RS1 Bearing 2D drawings and 3D CAD models

Size	28.575x12.7x7.938 mm
Bore Diameter	28,575 mm
Outer Diameter	12,7 mm
Width	7,938 mm
d	12.7 mm
D	28.575 mm
B	7.938 mm
d ₂	16 mm
D ₂	25.15 mm
r _{1,2} - min.	0.4 mm
d _a - min.	15.5 mm
D _a - max.	26 mm
r _a - max.	0.4 mm
Basic dynamic load rating - C	4.4 kN
Basic static load rating - C ₀	2.4 kN
Fatigue load limit - P _u	0.102 kN
Limiting speed	16000 r/min
Calculation factor - k _r	0.03
Calculation factor - f ₀	13.2
d ₂	16 mm
D ₂	25.15 mm
r _{1,2} min.	0.4 mm
d _a min.	15 mm
d _a max.	15.5 mm



BEARING-MALAYSIA SDN.BHD.

D_a max.	26 mm
r_a max.	0.4 mm
Basic dynamic load rating C	4.42 kN
Basic static load rating C_0	2.36 kN
Fatigue load limit P_u	0.102 kN
Calculation factor k_r	0.03
Calculation factor f_0	13.2
Mass bearing	0.021 kg