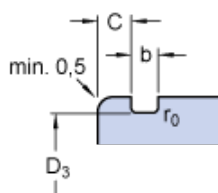
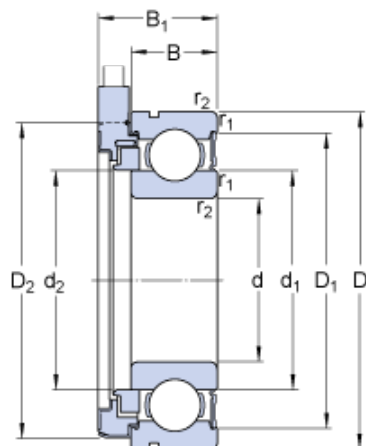




BEARING-MALAYSIA SDN.BHD.



40 mm x 80 mm x 18 mm SKF
BMB-6208/080S2/UB008A deep groove ball bearings

Bearing No. BMB-6208/080S2/UB008A

BMB-6208/080S2/UB008A Bearing 2D drawings and 3D CAD models

Size	80x40x24.2 mm
Bore Diameter	80 mm
Outer Diameter	40 mm
Width	24,2 mm
d	40 mm
D	80 mm
B ₁	24.2 mm
B	18 mm
d ₁	52.6 mm
d ₂	48 mm
D ₁	69.8 mm
D ₂	75.06 mm
D ₃	76.81 mm
C	3.28 mm
b	1.9 mm
r ₀	0.6 mm
r _{1,2} - min.	1.1 mm
L	546.1 mm
Tolerance cable length L - ±	10 mm
d _a - min.	46.5 mm
d _b - min.	46.5 mm
d _b - max.	47.4 mm
D _a - max.	73.5 mm



BEARING-MALAYSIA SDN.BHD.

r_a - max.	1 mm
Cable connector type	Free cable end
Number of pulses per revolution - N	80
Period accuracy	$\pm 5\%$
Phase shift output signal	90°
Tolerance phase shift output signal	$\pm 30^\circ$
Basic dynamic load rating - C	30.7 kN
Basic static load rating - C_0	19 kN
Fatigue load limit - P_u	0.8 kN
Limiting speed	5600 r/min
Calculation factor - k_r	0.025
Calculation factor - f_0	14
Mass sensor unit	0.448 kg
Category	Ball Bearings
Inventory	0.0
Manufacturer Name	SKF
Minimum Buy Quantity	N/A
Weight / Kilogram	0.541
Product Group	B00308
B_1	24.2 mm
d_1	52.6 mm
d_2	48 mm
D_1	69.8 mm
D_2	75.06 mm
D_3	76.81 mm
r_0	0.6 mm
$r_{1,2}$ min.	1.1 mm
\pm	10 mm
d_a min.	46.5 mm
	46.5 mm



BEARING-MALAYSIA SDN.BHD.

d^b min.



BEARING-MALAYSIA SDN.BHD.

d_b max.	47.4 mm
D_a max.	73.5 mm
r_a max.	1 mm
Number of pulses per revolution N	80
Period accuracy \pm	5 %
Phase shift output signal tolerance \pm	30 °
Basic dynamic load rating C	30.7 kN
Basic static load rating C_0	19 kN
Fatigue load limit P_u	0.8 kN
Calculation factor k_r	0.025
Calculation factor f_0	14
Snap ring	SP 80