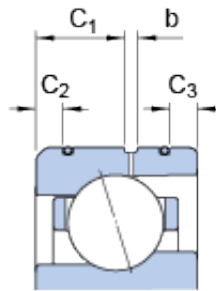
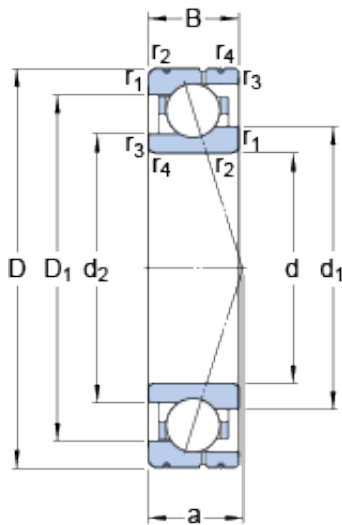




BEARING-MALAYSIA SDN.BHD.



70 mm x 100 mm x 16 mm SKF 71914
ACE/HCP4AL angular contact ball bearings

Bearing No. 71914 ACE/HCP4AL

71914 ACE/HCP4AL Bearing 2D drawings and 3D
CAD models

Size	100x70x16 mm
Bore Diameter	100 mm
Outer Diameter	70 mm
Width	16 mm
d	70 mm
D	100 mm
B	16 mm
d ₁	79.3 mm
d ₂	76.8 mm
D ₁	90.52 mm
b	2 mm
C ₁	8.6 mm
C ₂	2.8 mm
C ₃	2.8 mm
r _{1,2} - min.	1 mm
r _{3,4} - min.	0.3 mm
a	29.1 mm
d _a - min.	74.6 mm
d _b - min.	72 mm
D _a - max.	95.4 mm
D _b - max.	98 mm
r _a - max.	1 mm
r _b - max.	0.3 mm
d _n	81.5 mm



BEARING-MALAYSIA SDN.BHD.

Basic dynamic load rating - C	20.8 kN
Basic static load rating - C ₀	15.3 kN
Fatigue load limit - P _u	0.655 kN
Limiting speed for grease lubrication	20000 r/min
Limiting speed for oil lubrication	31000 mm/min
Ball - D _w	9.525 mm
Ball - z	22
G _{ref}	4.3 cm ³
Calculation factor - e	0.68
Calculation factor - Y ₂	0.87
Calculation factor - Y ₀	0.38
Calculation factor - X ₂	0.41
Calculation factor - Y ₁	0.92
Calculation factor - Y ₂	1.41
Calculation factor - Y ₀	0.76
Calculation factor - X ₂	0.67
Preload class A - G _A	190 N
Preload class B - G _B	570 N
Preload class C - G _C	1130 N
Calculation factor - f	1.14
Calculation factor - f ₁	0.98
Calculation factor - f _{2A}	1
Calculation factor - f _{2B}	1.04
Calculation factor - f _{2C}	1.08
Calculation factor - f _{HC}	1.01
Preload class A	145 N/micron
Preload class B	219 N/micron



BEARING-MALAYSIA SDN.BHD.

Preload class C	286 N/micron
d_1	79.3 mm
d_2	76.8 mm
D_1	90.52 mm
C_1	8.6 mm
C_2	2.8 mm
C_3	2.8 mm
$r_{1,2}$ min.	1 mm
$r_{3,4}$ min.	0.3 mm
d_a min.	74.6 mm
d_b min.	72 mm
D_a max.	95.4 mm
D_b max.	98 mm
r_a max.	1 mm
r_b max.	0.3 mm
d_n	81.5 mm
Basic dynamic load rating C	20.8 kN
Basic static load rating C_0	15.3 kN
Fatigue load limit P_u	0.655 kN
Attainable speed for grease lubrication	20000 r/min
Attainable speed for oil-air lubrication	31000 r/min
Ball diameter D_w	9.525 mm
Number of balls z	22
Reference grease quantity G_{ref}	4.3 cm ³
Preload class A G_A	190 N
Static axial stiffness, preload class A	145 N/ μ m
Preload class B G_B	570 N
Static axial stiffness, preload class B	219 N/ μ m
Preload class C G_C	1130 N



BEARING-MALAYSIA SDN.BHD.

Static axial stiffness, preload class C	286 N/ μ m
Calculation factor f	1.14
Calculation factor f_1	0.98
Calculation factor f_{2A}	1
Calculation factor f_{2B}	1.04
Calculation factor f_{2C}	1.08
Calculation factor f_{HC}	1.01
Calculation factor e	0.68
Calculation factor (single, tandem) Y_2	0.87
Calculation factor (single, tandem) Y_0	0.38
Calculation factor (single, tandem) X_2	0.41
Calculation factor (back-to-back, face-to-face) Y_1	0.92
Calculation factor (back-to-back, face-to-face) Y_2	1.41
Calculation factor (back-to-back, face-to-face) Y_0	0.76
Calculation factor (back-to-back, face-to-face) X_2	0.67
Mass bearing	0.27 kg