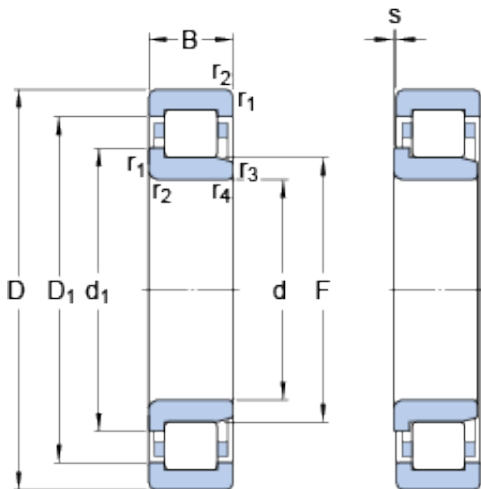




## BEARING-MALAYSIA SDN.BHD.



75 mm x 130 mm x 31 mm SKF NJ 2215 ECPH  
thrust ball bearings

Bearing No. NJ 2215 ECPH

NJ 2215 ECPH Bearing 2D drawings and 3D CAD models

Size	130x75x31 mm
Bore Diameter	130 mm
Outer Diameter	75 mm
Width	31 mm
d	75 mm
D	130 mm
B	31 mm
d <sub>1</sub>	94.3 mm
D <sub>1</sub>	113.2 mm
F	88.5 mm
r <sub>1,2</sub> - min.	1.5 mm
r <sub>3,4</sub> - min.	1.5 mm
s	1.7 mm
d <sub>a</sub> - min.	84 mm
d <sub>a</sub> - max.	86 mm
d <sub>b</sub> - min.	97 mm
D <sub>a</sub> - max.	121.5 mm
r <sub>a</sub> - max.	1.5 mm
Basic dynamic load rating - C	186 kN
Basic static load rating - C <sub>0</sub>	208 kN
Fatigue load limit - P <sub>u</sub>	27 kN
Reference speed	5600 r/min
Limiting speed	6000 r/min
Calculation factor - k <sub>r</sub>	0.2



## BEARING-MALAYSIA SDN.BHD.

$d_1$	94.3 mm
$D_1$	113.2 mm
$r_{1,2}$ min.	1.5 mm
$r_{3,4}$ min.	1.5 mm
s max.	1.7 mm
$d_a$ min.	84 mm
$d_a$ max.	86 mm
$d_b$ min.	97 mm
$D_a$ max.	121.5 mm
$r_a$ max.	1.5 mm
Basic dynamic load rating C	186 kN
Basic static load rating $C_0$	208 kN
Fatigue load limit $P_u$	27 kN
Calculation factor $k_r$	0.2
Limiting value e	0.3
Axial load factor Y	0.4
Mass bearing	1.62 kg