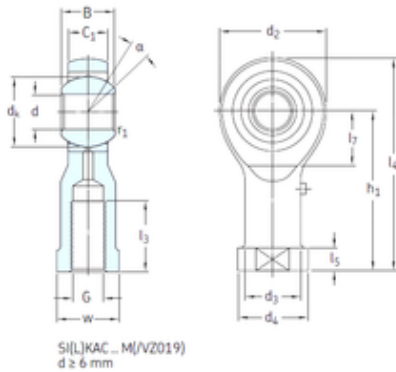




BEARING-MALAYSIA SDN.BHD.

SKF SIKAC12M plain bearings



Bearing No. SIKAC12M

| | |
|-------------------------------|------------------|
| Bore Diameter | 12 mm |
| d | 12 mm |
| d2 | 33 mm |
| d3 | 17,5 mm |
| d4 max. | 23 mm |
| dk | 22,2 mm |
| h1 | 50 mm |
| l3 min. | 18 mm |
| l4 max. | 68 mm |
| l5 | 6,5 mm |
| l7 min. | 16 mm |
| r1 min. | 0,3 mm |
| B | 16 mm |
| C1 | 12,5 mm |
| w | 19 Tolerance h14 |
| Thread (G) | M12 Tolerance 6H |
| Angle | 13 ° |
| Weight | 0,11 Kg |
| Basic dynamic load rating (C) | 13,4 kN |

SIKAC12M Bearing 2D drawings and 3D CAD models