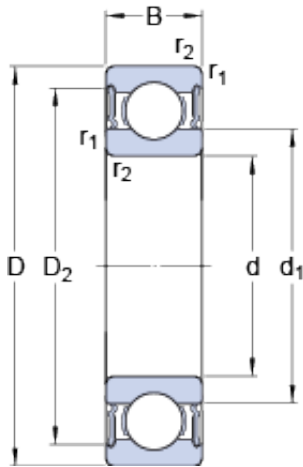




BEARING-MALAYSIA SDN.BHD.



70 mm x 125 mm x 31 mm SKF 62214-2RS1
deep groove ball bearings

Bearing No. 62214-2RS1

62214-2RS1 Bearing 2D drawings and 3D CAD models

Size	125x70x31 mm
Bore Diameter	125 mm
Outer Diameter	70 mm
Width	31 mm
d	70 mm
D	125 mm
B	31 mm
d ₁	87.05 mm
D ₂	111 mm
r _{1,2} - min.	1.5 mm
d _a - min.	79 mm
d _a - max.	87 mm
D _a - max.	116 mm
r _a - max.	1.5 mm
Basic dynamic load rating - C	60.5 kN
Basic static load rating - C ₀	45 kN
Fatigue load limit - P _u	1.9 kN
Limiting speed	3400 r/min
Calculation factor - k _r	0.025
Calculation factor - f ₀	14.7
Category	Single Row Ball Bearings
Inventory	0.0
Manufacturer Name	SKF
Minimum Buy Quantity	N/A



BEARING-MALAYSIA SDN.BHD.

Weight / Kilogram	1.402
Product Group	B00308
Enclosure	2 Seals
Precision Class	ABEC 1 ISO P0
Maximum Capacity / Filling Slot	No
Rolling Element	Ball Bearing
Snap Ring	No
Internal Special Features	No
Cage Material	Steel
Enclosure Type	Contact Seal
Internal Clearance	C0-Medium
Inch - Metric	Metric
Long Description	70MM Bore; 125MM Outside Diameter; 31MM Outer Race Diameter; 2 Seals; Ball Bearing; ABEC 1 ISO P0; No Filling Slot; No Snap Ring; No Internal Special Features
Other Features	Cartridge Bearing
Category	Single Row Ball Bearing
UNSPSC	31171504
Harmonized Tariff Code	8482.10.50.68
Noun	Bearing
Keyword String	Ball
Manufacturer URL	http://www.skf.com
Manufacturer Item Number	62214-2RS1
Weight / LBS	3.088
Outer Race Width	1.22 Inch 31 Millimeter
Bore	2.756 Inch 70 Millimeter
Outside Diameter	4.921 Inch 125 Millimeter
bore diameter:	70 mm
static load capacity:	45 kN



BEARING-MALAYSIA SDN.BHD.

outside diameter:	125 mm
precision rating:	ABEC 1 (ISO Class Normal)
overall width:	31 mm
finish/coating:	Uncoated
bore type:	Round
cage material:	Steel
closure type:	Double Sealed
outer ring width:	31 mm
row type & fill slot:	Single Row Non-Fill Slot
fillet radius:	1.5 mm
internal clearance:	C0
maximum rpm:	3400 RPM
operating temperature range:	-40 to +210 ° F
series:	62
dynamic load capacity:	60.5 kN
d_1	87.05 mm
D_2	111 mm
$r_{1,2}$ min.	1.5 mm
d_a min.	79 mm
d_a max.	87 mm
D_a max.	116 mm
r_a max.	1.5 mm
Basic dynamic load rating C	60.5 kN
Basic static load rating C_0	45 kN
Fatigue load limit P_u	1.9 kN
Calculation factor k_r	0.025
Calculation factor f_0	14.7
Mass bearing	1.42 kg