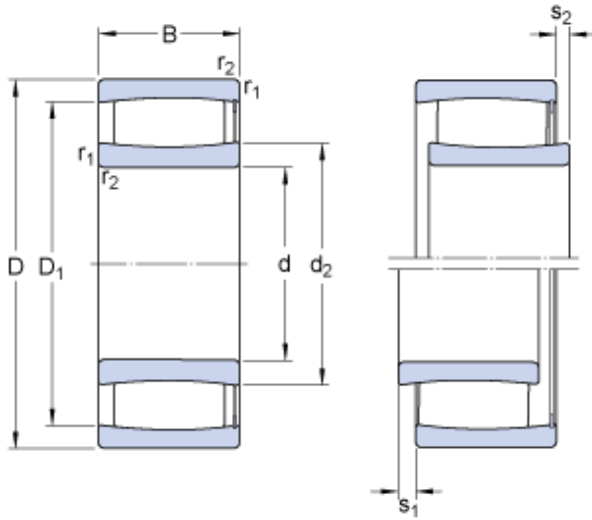




## BEARING-MALAYSIA SDN.BHD.



### 80 mm x 140 mm x 33 mm SKF C 2216 V cylindrical roller bearings

Bearing No. C 2216 V

C 2216 V Bearing 2D drawings and 3D CAD models

Size	140x80x33 mm
Bore Diameter	140 mm
Outer Diameter	80 mm
Width	33 mm
d	80 mm
D	140 mm
B	33 mm
d <sub>2</sub>	98.1 mm
D <sub>1</sub>	125 mm
s <sub>1</sub>	9.1 mm
s <sub>2</sub>	4.8 mm
r <sub>1,2</sub> - min.	2 mm
d <sub>a</sub> - min.	91 mm
d <sub>a</sub> - max.	116 mm
D <sub>a</sub> - max.	129 mm
r <sub>a</sub> - max.	2 mm
Basic dynamic load rating - C	255 kN
Basic static load rating - C <sub>0</sub>	305 kN
Fatigue load limit - P <sub>u</sub>	34.5 kN
Limiting speed	2000 r/min
Factor - k <sub>1</sub>	0.104
Factor - k <sub>2</sub>	0.121
Category	Bearings



## BEARING-MALAYSIA SDN.BHD.

Inventory	0.0
Manufacturer Name	SKF
Minimum Buy Quantity	N/A
Weight / Kilogram	0
Product Group	B04144
$d_2$	98.1 mm
$D_1$	125 mm
$s_1$ max.	9.1 mm
$s_2$ max.	4.8 mm
$r_{1,2}$ min.	2 mm
$d_a$ min.	91 mm
$d_a$ max.	116 mm
$D_a$ max.	129 mm
$r_a$ max.	2 mm
Basic dynamic load rating C	255 kN
Basic static load rating $C_0$	305 kN
Fatigue load limit $P_u$	34.5 kN
Misalignment factor $k_1$	0.104
Operating clearance factor $k_2$	0.121
Mass bearing	2.15 kg