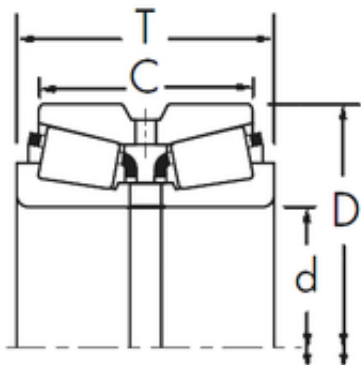




BEARING-MALAYSIA SDN.BHD.

Timken 683/672D+X2S-683 tapered roller bearings



Bearing No. 683/672D+X2S-683

Dimensione	95.25x168.275x92.075 mm
Marchio	Timken
Diametro del foro	95,25 mm
Diametro esterno	168,275 mm
Larghezza	92,075 mm
d	95,25 mm
D	168,275 mm
T	92,075 mm
C	69,85 mm
R	3,5 mm
r	0,8 mm

683/672D+X2S-683 Bearing 2D drawings and 3D CAD models